

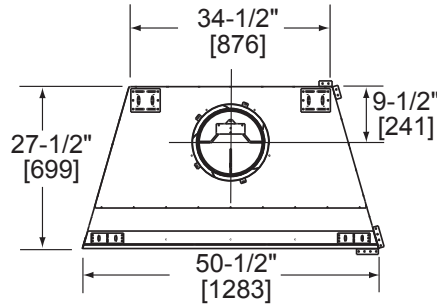
MAJESTIC

Please consult the manufacturer's installation manual for all details and requirements before making a final design layout decision.

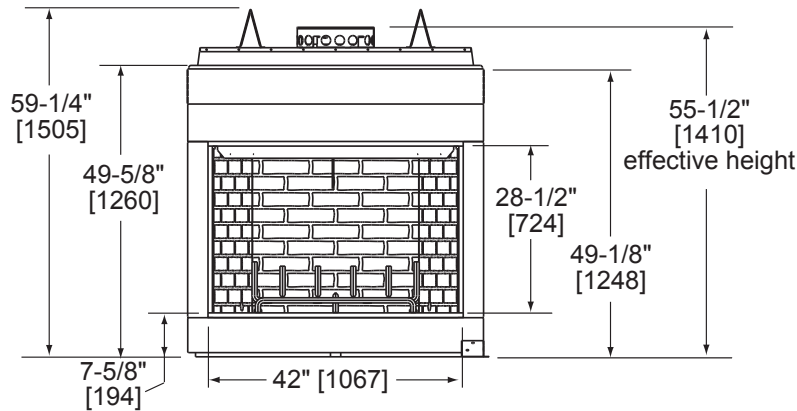
BILTMORE 80
42" Wood Fireplace

MODEL	FRONT WIDTH		BACK WIDTH		HEIGHT		DEPTH		FIREPLACE OPENING
	Actual	Framing	Actual	Framing	Actual	Rough Opening Framing*	Actual	Framing	
SB80	50-1/2"	51-1/2"	34-1/2"	51-1/2"	59-1/4"	59-3/4"	27-1/2"	28-1/2"	42 x 28-1/2"

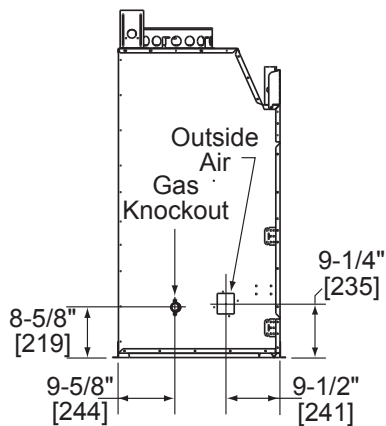
* Framing must be filled in to top of front standoff after unit is installed.



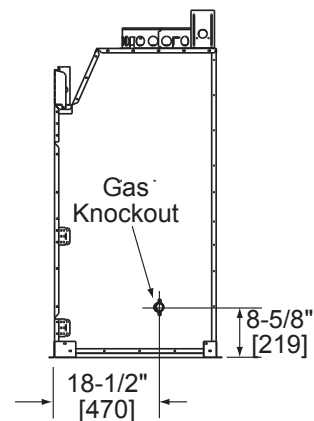
Top View



Front View

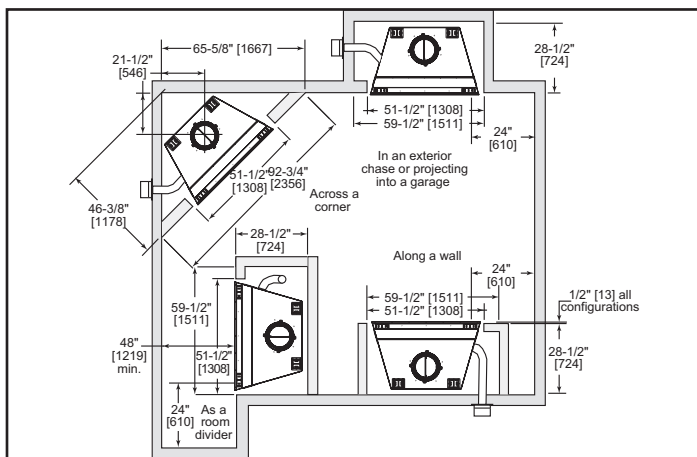


Left Side View

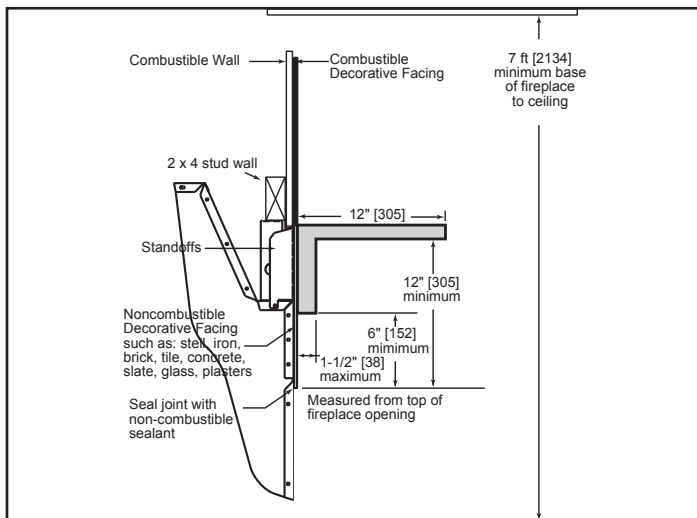


Right Side View

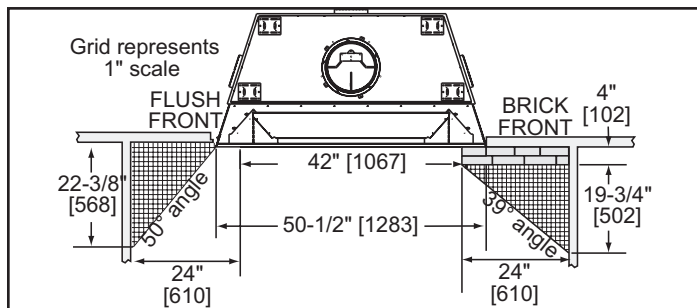
APPLIANCE LOCATION



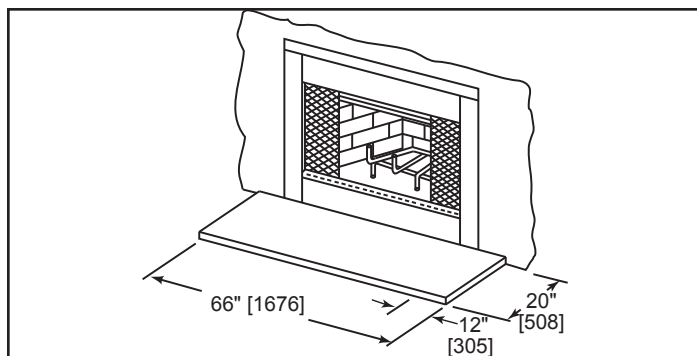
MANTEL PROJECTIONS



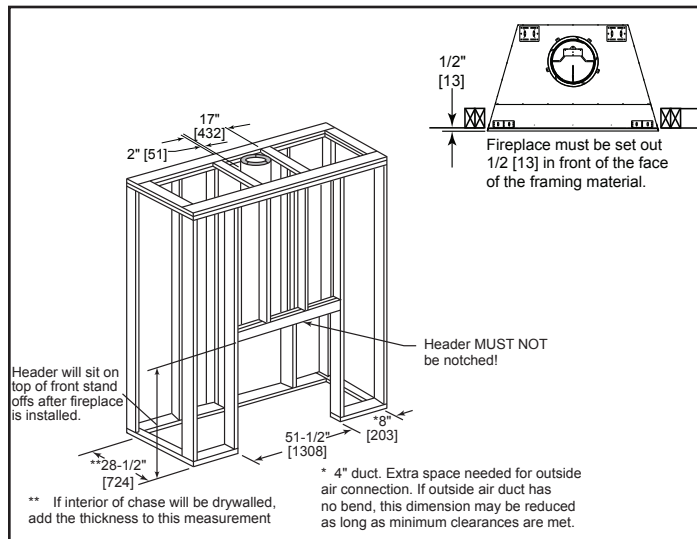
MANTEL LEG/WALL PROJECTIONS



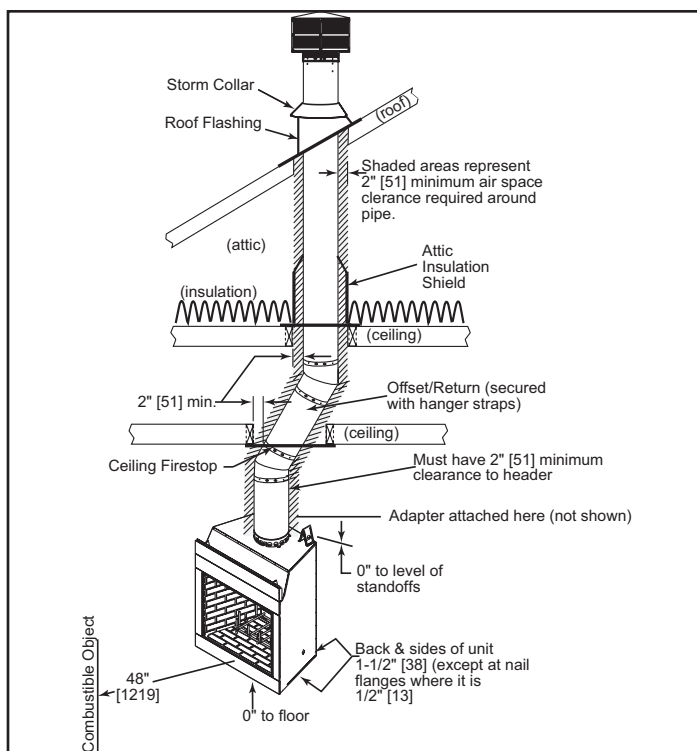
HEARTH EXTENSIONS



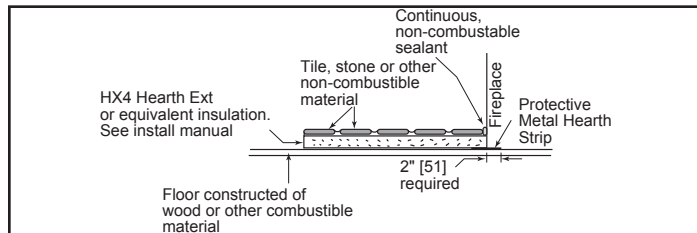
FRAMING DIMENSIONS



CLEARANCES TO COMBUSTIBLES



HEARTH EXTENSION CONSTRUCTION



PRODUCT LISTING CODES	
US	UL 127
CAN	ULC-S610

Product information provided is not complete and is subject to change without notice. Product installation must adhere strictly to instructions accompanying product to avoid risk of fire and potential injury.

Additional information can be found online at www.majesticproducts.com